

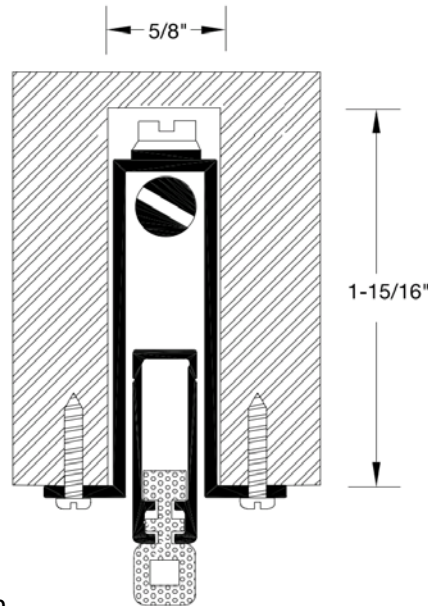


Door Bottom

Automatic Door Bottom

Guaranteed quality since 1918

370 – *Sponge Neoprene Insert*



Min. size 24"
 Max. size 60"
 Max. drop 3/4"

Can be cut to exact size.

Can be trimmed up to 2".

Finishes:

A - Aluminum Mill Finish

Options: X-ray shielding lead bars available on special order

Job:
Prepared For:
Prepared By:
Date:
Remarks:

Note: Door bottoms are not designed to seal directly on carpet. For best results door bottoms should seal on a solid surface. The solid surface should be positioned above the level of the floor covering on either side of the door. Door bottoms are field reversible and can be used in semi-mortised applications.